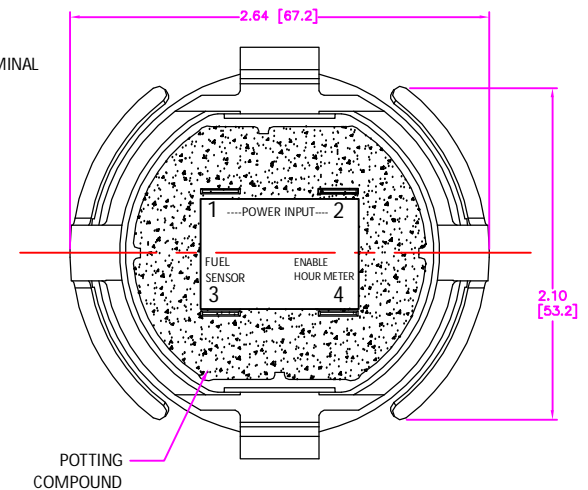
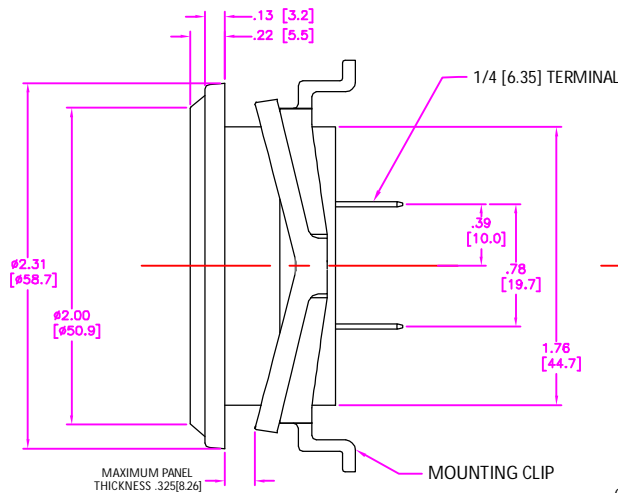
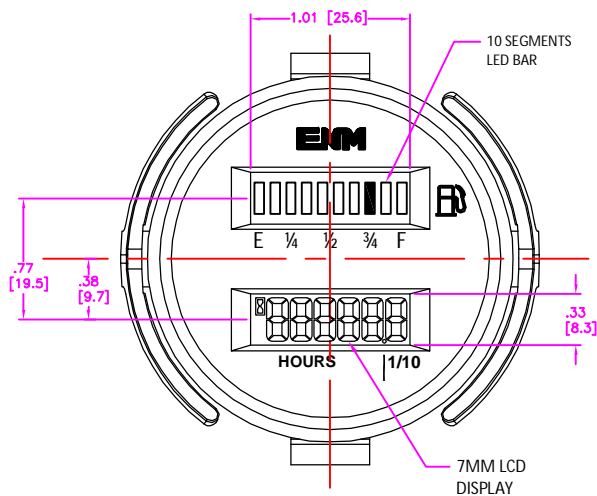
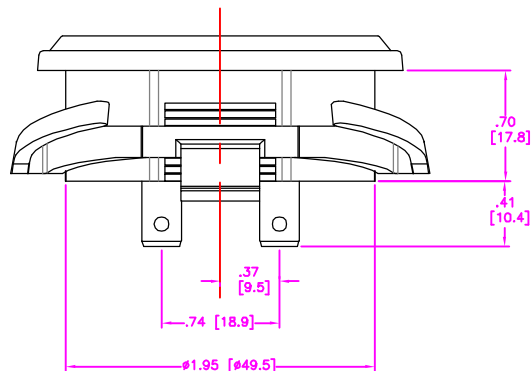


REVISIONS

SYM	DESCRIPTION	DATE	APPROVAL
-----	-------------	------	----------

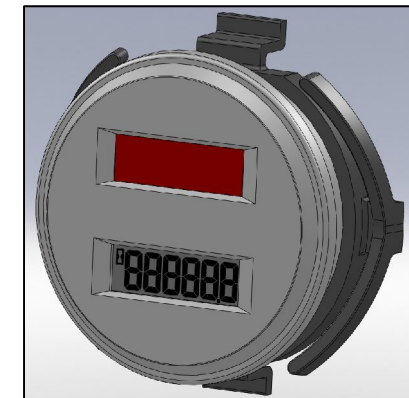


Recommended panel cutout 2.0[50.8]



SPECIFICATION

DISPLAY	0.0 TO 99999.9, FLASHING ICON
OPERATING VOLTAGE	8-40VDC
DIGIT HEIGHT	6-DIGITS 7MM DISPLAY
RESOLUTION	0.1 HOURS
DATA STORAGE	EEPROM MEMORY
FUEL SENSOR	PROGRAMMABLE AT THE FACTORY
OPERATING TEMPERATURE.	-40°C TO +85 °C (-40°F TO +185 °F)
STORAGE TEMPERATURE.	-40°C TO +85 °C (-40°F TO +185 °F)
TOTALLY SEALED	IP67



MATERIAL			FINISH			HEAT TREAT		
DIMENSIONAL TOLERANCES UNLESS OTHERWISE SPECIFIED			TITLE FUEL/HOUR METER COMBO			WEIGHT		
FRAC.	DEC.	ANG.				<div style="text-align: center; font-size: 2em; font-weight: bold;">ENM</div> Chicago, Illinois		
±1/64	.XXX ±.005	±30°						
	.XX ±.01							
SCALE	NO. REQ.D	DRAWN	J.G.	DATE	9/21/2011	SIZE	DRAWING NUMBER	ISSUE
NEXT ASSY.		CHECKED	N.I.	DATE	9/21/2011	A	T42 SERIES	1
		APPROVED	J.G.	DATE	9/21/2011			

THIS PRINT IS THE PROPERTY OF ENM COMPANY AND IS LOANED SUBJECT TO RETURN UPON DEMAND. TITLE TO SAME IS NEVER SOLD OR OF DESIGN OR INVENTION ARE RESERVED. PRINT IS NOT NECESSARILY TO SCALE.