

High Speed, Self-Powered Electronic Counter, Series L5



L5 Series

ENM's L5 Series AC/DC pulse counter features an 8 digit LCD display with self-powered CMOS circuit. Powered by an internal lithium battery, this totalizing counter has a front panel reset and an external electronic reset. External connections are made by connecting wires to the onboard screw terminal connector.

This model is ideal for extra high counting applications. The standard unit comes with a spring clip and NEMA 4/IP65 gasket. A choice of two bezels are included for larger panel cut-outs.

Features

- Use of the latest CMOS circuitry achieves an expected battery life of 10 years
- 9 mm black character high contrast LCD display
- Counting speeds up to 10 kHz
- Triggering from any voltage between 10-240 volts AC or 5-110VDC $\pm 10\%$ using high voltage pulse converter on L5C Model
- Front panel sealed to NEMA 4 (IP65) rating (gasket included)
- Suitable for spring clip mounting to DIN 43700
- 5 VDC backlighting (external powered)

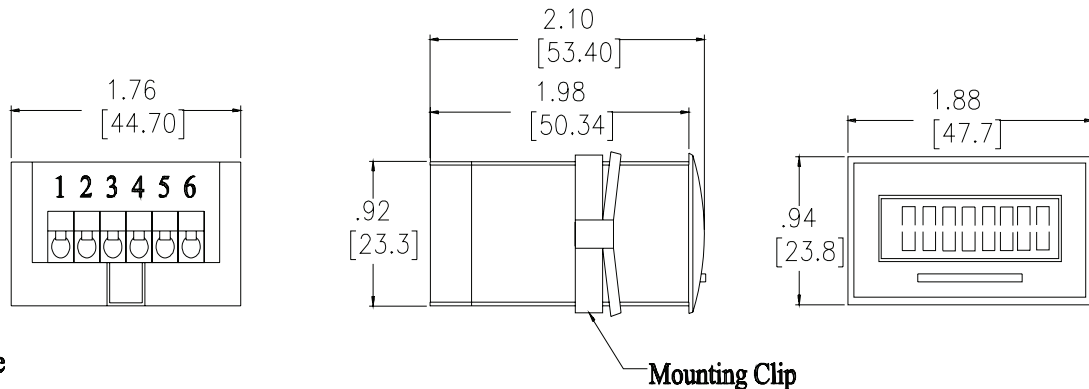
Specifications

Power Supply:	Internal lithium battery, exp. life 10 years
Display:	8 digit black LCD, .354" (9mm) characters
Count Range:	99999999 display with rollover to 0
Manual Reset Enable:	Link Pin 2 to common to enable front panel reset push-button
External Reset:	(L5A model) Contact closure/open collector, negative edge triggered, 0.7v threshold, 15mS minimum closure time. (L5C model) 5-110VDC $\pm 10\%$, 10-240VAC $\pm 10\%$. 50ms closure time minimum
Direction Input:	Connection or electronic input TTL/CMOS compatible. Add=no connection or $>2.4v$ (logic 1); Subtract=connect to common or $<0.7v$ (logic 0). Direction input must precede count input by 5 μ s (minimum) for valid operation. Max 18VDC
Count Input:	(L5A Model) Contact closure/open collector, with integral debounce circuitry, negative edge triggered, 0.7v threshold, 15mS minimum closure time on low speed input 30Hz maximum, and 10KHz maximum on the high speed input terminal with 50uS minimum pulse length, with 18VDC Max. (L5C model) 5-110VDC $\pm 10\%$, 10-240VAC $\pm 10\%$, 50ms minimum pulse width, 10Hz
Mounting Configuration:	Panel mounting with plastic spring clip (standard) or choice of two bezels
Operating Temperature:	-10° C to 60° C (15° F to 140° F)

2008 ENM Co.®

L5 LCD Counter

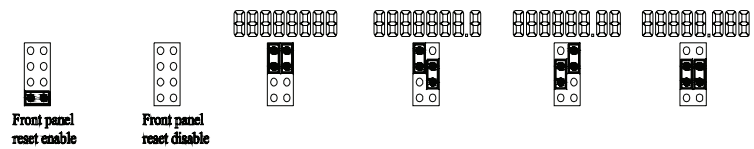
(Dimensions are in inches. Dimensions in brackets are in millimeters.)



View back side

Pin#

- 1 High voltage count input
- 2 High voltage external reset input
- 3 Common for pin 1 & 2
- 4 Direction input
- 5 External power for backlight
- 6 0V, common for pin 4 & 5



ENM L5C

DESCRIPTION

8-Digit LCD counter with 5-240 volt with screw terminal block, spring clip, and NEMA gasket.

Accessories Included:

- 25mm x 50mm panel adapter
- 60mm x 50mm two-hole bezel for panel mount

Warning:

This product contains a lithium battery and must not be cut open, incinerated, or exposed to temperatures beyond -10°C to 60°C (15°F to 140°F).

2008 ENM Co.®

LIMITED WARRANTY HOUR METERS

ENM Company hour meters are warranted to the consumer to be free from defects in material and workmanship for a period of 1 year. All ENM products which fall within the warranty period due to defects in material or workmanship will be repaired or replaced, at ENM's option, without charge to the consumer when returned with proof of purchase to any authorized ENM dealer in the United States, transportation charges prepaid, provided there is no evidence of improper installation, tampering, or other abuse. All implied warranties, including any implied warranty of merchantability or fitness for a particular purpose, shall be limited in duration to the express warranty period specified above. ENM disclaims any liability for consequential damages due to breach of any written or implied warranty on its products. Datasheet information subject to change.

ENM Company

5617 Northwest Highway, Chicago, IL 60646-6135

(773) 775-8400 • Fax: (773) 775-5968 • Toll Free (888) 372-0465

e-mail: customerservice@enmco.com

ISO 9001:2008 Certified

web site: www.enmco.com