

Engine Powered Hour Meter, Miniature Hour Meter, **Series T61**



SERIEST61

ENM Series T61 engine powered hour meter was designed to be totally powered by electrical energy in a two or four stroke gasoline engine.

Electrical power is obtained by connecting the hour meter across the engine's kill switch. When installed, the T61 hour meter will indicate true engine operating time. It is now possible to accurately measure the operating time of equipment driven by a gasoline engine.

Some applications include; lawnmowers, brushcutters, pumps, chainsaws, power sprayers, tillers, cultivators, farm and snow removal equipment.

A quartz-crystal time base insures accurate long term timekeeping.

A reliable electromechanical wheel-type indicator is used to store accumulated hours.

The compact tamperproof meter is sealed against the environment to provide years of service.

Features

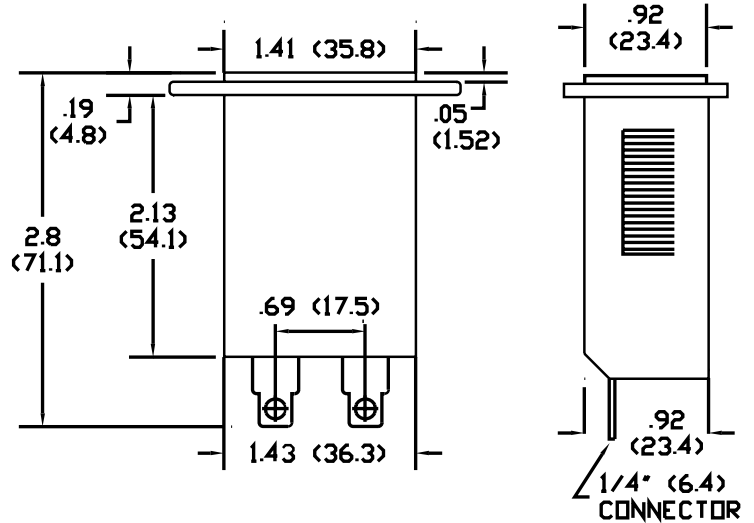
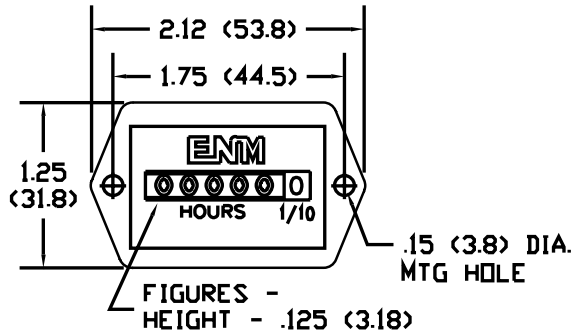
- No Battery Required for Operation
- Direct Connection to Gasoline Engine
- Low Power Consumption
- Solid State Electronic Drive Circuit
- Quartz-Crystal for Accurate Timing
- Absolutely Will Not Lose Count
- High Impact, Tamperproof Plastic Case
- Totally Sealed
- Indicates Operating Time in Hours and Tenths
- Made in the U.S.A.

Specifications

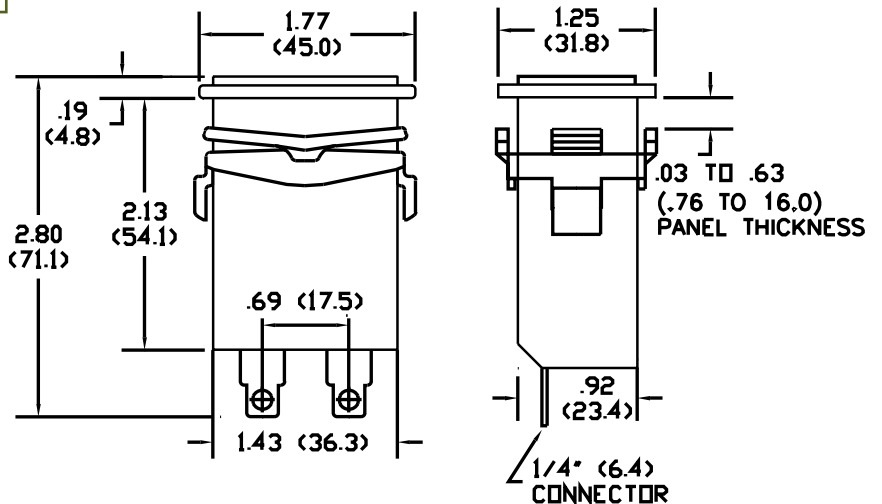
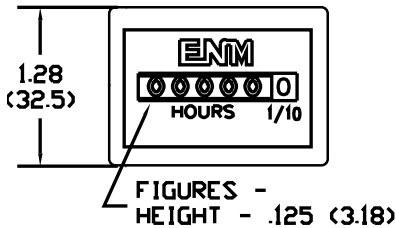
Display Reading:	6-digits, 99,999.9 Hours meter Automatic Recycle at Zero
Figures:	Hours—White on black Tenths—Red on white Height—.125"
Accuracy:	Better than +/- 0.02% over entire range
Temperature:	Standard -30C to +65C (-22F to +149F) Special -40C to +85C (-40F to +185F)
Vibration Resistance:	Withstands 10 to 75 Hz at 1 to 8 g's
Protected From:	Reverse Polarity
Configuration:	Front panel mounts with new push-on retaining clip. Panel mount with 2 holes (front or back).

2005 ENM Co.®

Series T61 Back of Panel Mounting



Series T61 Panel Mounting



STANDARD MODELS

PART NO.	VOLTAGE	MOUNTING	POWER
T61E91	7-15V	Back of Panel	Magneto
T61E96	4-40V	Back of Panel	Alternator
T61D91	7-15V	Panel Mounting	Magneto
T61D96	4-40V	Panel Mounting	Alternator

Available to facilitate installation are: Two 24" long wires with insulated quick disconnects and quick disconnect screw terminals. (All dimensions in parenthesis are in mm.)

2005 ENM Co.®

LIMITED WARRANTY HOUR METERS

ENM Company products are warranted to the consumer to be free from defects in material and workmanship for a period of 1 year. All ENM products which fall within the warranty period due to defects in material or workmanship will be repaired or replaced, at ENM's option, without charge to the consumer when returned with proof of purchase to any authorized ENM dealer in the United States, transportation charges prepaid, provided there is no evidence of improper installation, tampering, or other abuse. All implied warranties, including any implied warranty of merchantability or fitness for a particular purpose, shall be limited in duration to the express warranty period specified above.

ENM disclaims any liability for consequential damages due to breach of any written or implied warranty on its products.