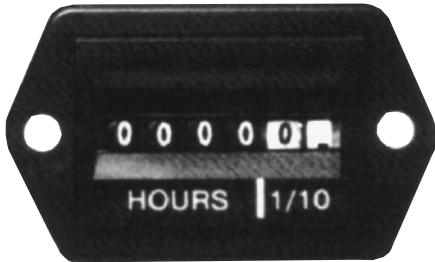
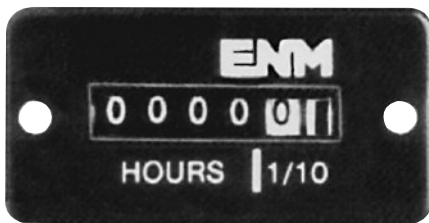


## AC Hour Meter Series T18



BACK OF PANEL



RECTANGULAR



ROUND SAE BEZEL

The solid state electronic drive circuitry in ENM's SERIES T18 MINI AC HOUR METER effects longer life with no motor and less moving parts.

Electronic actuation assures accuracy by eliminating delicate springs and mechanical clock mechanisms that can be affected by vibration or temperature. Electromechanical wheel-type indication can't forget or be "wiped out" like touchy LEDs or LCDs and requires no battery back-up.

The Series T18 Hour Meter is a compact, high quality elapsed time indicator for use on test and recording equipment, for providing maintenance control, for establishing warranty programs, for measuring machine utilization and production time, or for any application where time-in-use is to be determined.

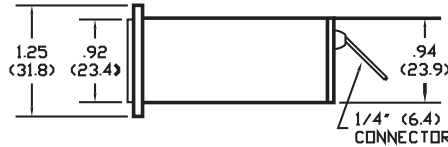
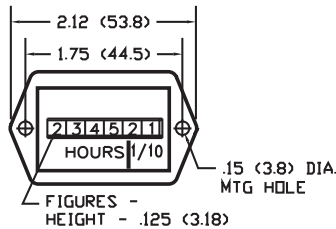
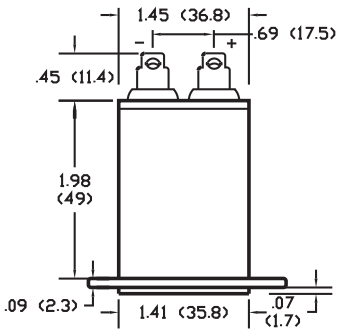
### Specifications

Display Reading:	99999.9 Hours meter Records up to 100,000 with Automatic Recycle at Zero
Digit Height:	.125"
Weight:	2.0 oz Back of Panel Case 2.0 oz Rectangular Case 4.5 oz Round SAE Bezel
Operating Voltage:	24, 48, 115, 230V AC (Range +/- 10%)
Frequency:	50 and 60 Hz. Models
Power Rating:	0.6 watts
Accuracy:	+/- 1%
Temperature:	Standard -32C to +65C (-25F to +150F) Special -32C to +85C (-25F to +185F)
Termination:	Wire lead, screw, spade terminals
Warranty:	10,000 hours / 3 years

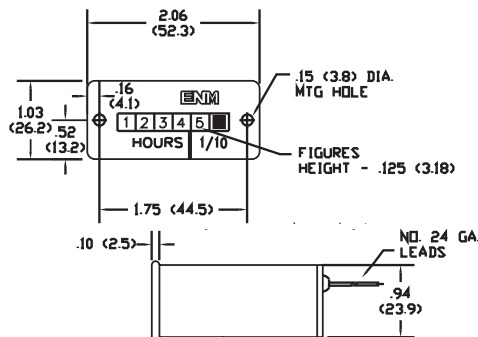
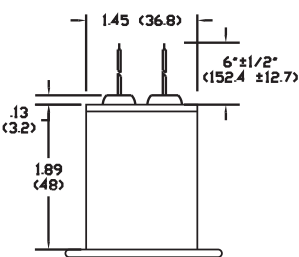
### Features

- Solid State Electronic Drive Circuit
- Easy Installation
- High Impact, Tamperproof Case
- Sealed Against Moisture & Dirt
- Choice of Three Configurations
- Made in the U.S.A.

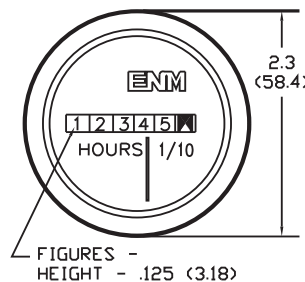
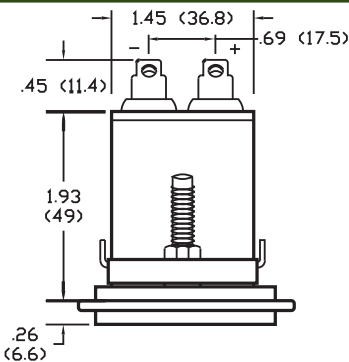
### Series T18AC Back of Panel



### Series T18AC Rectangular



### Series T18AC Round Sae Bezel



### STANDARD MODELS

PART NO.	VOLTAGE	MOUNTING	TERMINATION
T18BH54BC09	24V 60 hz	Back of Panel	Wire Lead
T18BH54BC08	24V 60 hz	Back of Panel	Spade Terminals
T18BH54BC	24V 60 hz	Rectangular	Wire Lead
T18BH54BC02	24V 60 hz	Rectangular	Spade Terminals
T18BG54BC	24V 60 hz	Round SAE	Wire Lead
		(Silver) Bezel	
T18BG54BC02	24V 60 hz	Round SAE	Spade Terminals
		(Silver) Bezel	
T18BG54BC10	24V 60 hz	Round SAE	Wire Lead
		(Black) Bezel	
T18BG54BC11	24V 60 hz	Round SAE	Spade Terminals
		(Black) Bezel	
T18BH52BC09	115V 60 hz	Back of Panel	Wire Lead
T18BH52BC08	115V 60 hz	Back of Panel	Spade Terminals
T18BH52BC	115V 60 hz	Rectangular	Wire Lead
T18BH52BC02	115V 60 hz	Rectangular	Spade Terminals
T18BG52BC	115V 60 hz	Round SAE	Wire Lead
		(Silver) Bezel	
T18BG52BC02	115V 60 hz	Round SAE	Spade Terminals
		(Silver) Bezel	
T18BG52BC10	115V 60 hz	Round SAE	Wire Lead
		(Black) Bezel	
T18BG52BC11	115V 60 hz	Round SAE	Spade Terminals
		(Black) Bezel	
T18BH511BC09	230V 50 hz	Back of Panel	Wire Lead
T18BH511BC08	230V 50 hz	Back of Panel	Spade Terminals
T18BH511BC	230V 50 hz	Rectangular	Wire Lead
T18BH511BC02	230V 50 hz	Rectangular	Spade Terminals
T18BG511BC	230V 50 hz	Round SAE	Wire Lead
		(Silver) Bezel	
T18BG511BC02	230V 50 hz	Round SAE	Spade Terminals
		(Silver) Bezel	
T18BG511BC10	230V 50 hz	Round SAE	Wire Lead
		(Black) Bezel	
T18BG511BC11	230V 50 hz	Round SAE	Spade Terminals
		(Black) Bezel	

2005 ENM Co.®

#### LIMITED WARRANTY HOUR METERS

ENM Company products are warranted to the consumer to be free from defects in material and workmanship for a period of 1 year. All ENM products which fall within the warranty period due to defects in material or workmanship will be repaired or replaced, at ENM's option, without charge to the consumer when returned with proof of purchase to any authorized ENM dealer in the United States, transportation charges prepaid, provided there is no evidence of improper installation, tampering, or other abuse. All implied warranties, including any implied warranty of merchantability or fitness for a particular purpose, shall be limited in duration to the express warranty period specified above.

ENM disclaims any liability for consequential damages due to breach of any written or implied warranty on its products.