

ENM's Series T40E Square DC Hour Meter is the answer to applications requiring a low power, low cost reliable hour meter. This compact tamperproof meter is sealed against the environment to provide years of service.

Accumulated hours are stored in the mechanical indicating counter; therefore, no battery is required to maintain elapsed time.

The T40E Square contains an input diode for polarity protection.

SPECIFICATIONS:

Time Scale:	6-digits 99,999.9 Hours Automatic recycle to zero
Figures:	Hours—White on black Tenths—Black on white Height—0.140"
Operating Voltage:	Range 10-80 V DC 12-28 V DC
Power Consumption:	Less than .03 Watts at 12V DC .7 Watts at 28 V DC
Accuracy:	Better than $\pm 0.02\%$ over entire range
Temperature:	Standard -30°C to +65°C (-22°F to +149°F) Special -40°C to +85°C (-40°F to +185°F)
Vibration Resistance:	Withstands 10 to 75 Hz at 1 to 8 g's
Terminations:	1/4" male blade terminals
Protected from:	Alternator load dump Inductive switching Reverse polarity
Configuration:	Square flange for round and/or square panel cut-outs Square 4-hole flange

FEATURES:

- Low Power Consumption
- Solid State Electronic Drive Circuit
- Quartz-Crystal for Accurate Timing
- Absolutely Will Not Lose Count
- Quiet Operation
- High Impact, Tamperproof Plastic Case
- Sealed Against Moisture and Dirt
- Indicates Operating Time in Hours and Tenths
- No Battery Back-up Required
- UL Recognized
- CSA Certified
- **MADE IN THE U.S.A.**

© 1997 ENM Co.

CE APPROVAL CONFORMS WITH THE PROTECTION REQUIREMENTS OF COUNCIL DIRECTIVE 89/336/EEC, AMENDED BY 92/31/EEC AND 93/68/EEC RELATING TO ELECTROMAGNETIC COMPATIBILITY.

ENM Co. @ AOL.COM
Toll Free (888) 372-0465

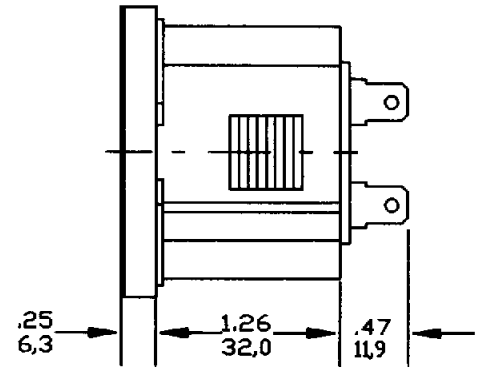
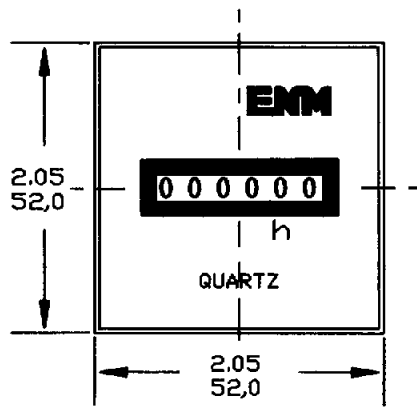


ENM Company
 5617 Northwest Highway
 Chicago, IL 60646-6135
 (773) 775-8400 Fax: (773) 775-5968

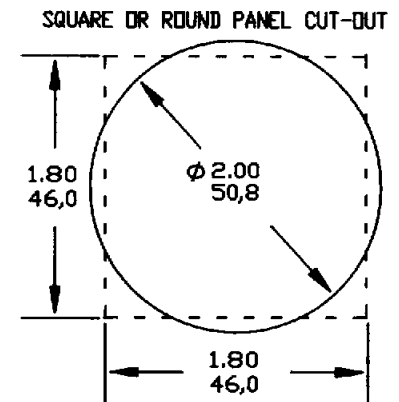
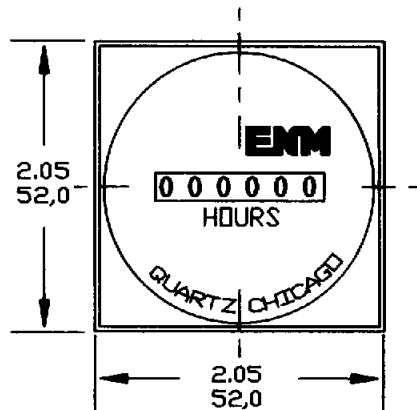
Series T40E Square

Dimensional Data

Part No.	Voltage
T40E4534	Brushed Aluminum 10-80 DC
T40E4134	12-28 V DC
T40E4556	Black Anodized 10-80 DC
T40E4536	10-80 DC
T40E4136	12-28 V DC

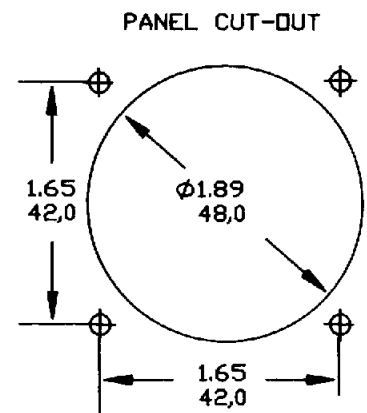
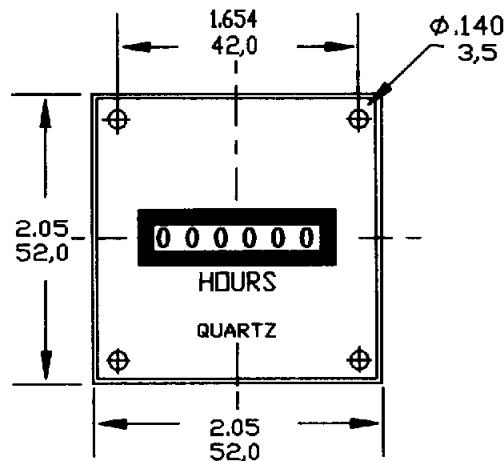


Part No.	Voltage
T40E45	10-80-DC
T40E41	12-28 V DC



Use Mounting Spring Clip

Part No.	Voltage
T40E4535	Brushed Aluminum 10-80 DC
T40E4135	Black Anodized 12-28 V DC
T40E4537	10-80 DC
T40E4137	12-28 V DC



Limited Warranty / Hour Meters

ENM Company hour meters are warranted to the consumer to be free from defects in material and workmanship for a period of 10,000 operating hours or for a period of 3 years, whichever occurs first. All ENM products which fall within the warranty period due to defects in material or workmanship will be repaired or replaced, at ENM's option, without charge to the consumer when returned with proof of purchase to any authorized ENM dealer in the United States, transportation charges prepaid, provided there is no evidence of improper installation, tampering, or other abuse. All implied warranties, including any implied warranty of merchantability or fitness for a particular purpose, shall be limited in duration to the express warranty period specified above. ENM disclaims any liability for consequential damages due to breach of any written or implied warranty on its hour meters.

© 1997 ENM Co.



ENM Company
5617 Northwest Highway
Chicago, IL 60646-6135
(773) 775-8400 Fax: (773) 775-5968