

# LCD Hour Meter-Counter-Module

## ELECTRONICS



T1101AB



T1101AS



C1101AB



C1101AS

ENM's new series T1100 Hour Meter timer features a 6-digit, 7 segment LCD display. This model is ideal for maintenance applications. The Hour Meter model displays an hour glass and decimal point. The accumulated hours are stored on powerless, non-volatile data backup using CMOS EEPROM technology, where small space and reliable instruments are required with memory that does not rely on a battery.

PART NO.	VOLTAGE	CASE
T1101AB	8-28VDC	Black Hour Meter
T1101AS	8-28VDC	Chrome Hour Meter
C1101AB	8-28VDC	Black Counter
C1101AS	8-28VDC	Chrome Counter

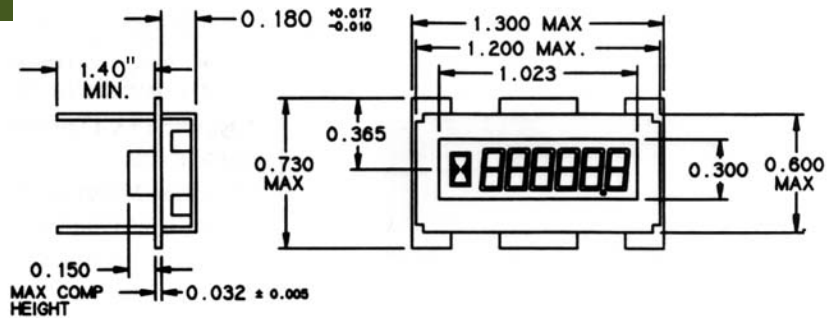
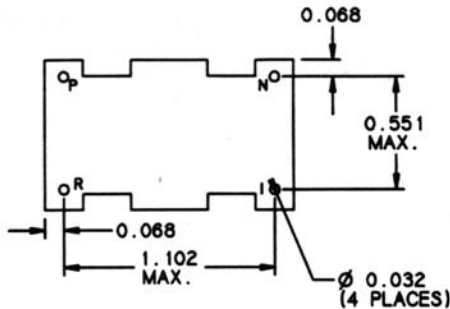
### Specifications

Capacity:	99999.9 Hour meter (00 to 999999) Up Counter (999999 to 00) Down Counter Automatic recycle to zero.
Display height:	6 digits, 5mm LCD
Operating voltage:	8-28VDC, other AC and DC voltages are also available
Count speed:	100 C.P.S.
Operating current:	3mA maximum 8 to 24Vdc and 10mA @ 28Vdc
Operating temperature:	Standard -40C to +85C
Vibration resistance:	Withstands 10 to 75 Hz. at 1 to 8 Gs.
Shock resistance:	SAEJ137853G
Accuracy:	Better than +/-0.01%
Humidity:	95%RH+32C for 2 hours
Protected from:	Alternator load dump, inductive switching and reverse polarity.
Memory capacity:	Cmos Eeprom. Nonvolatile memory has data retention in excess of 10 years without power.
Bezel style:	Chrome or Black are available.

### Features

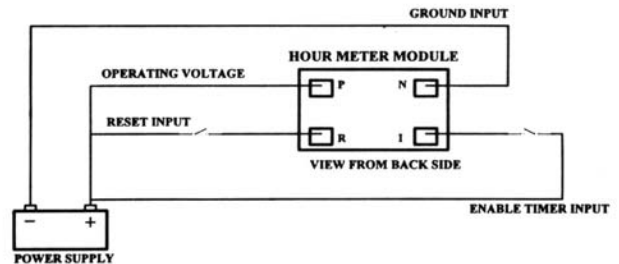
- Non-volatile memory (no battery)
- High reliability
- Low cost and small size
- Low operating current
- Wide operating voltage and temperature range
- Very high shock and vibration specs
- Non reset option available
- Solid state electronics
- Quartz crystal
- Made in the USA

### T1100 LCD HOUR METER

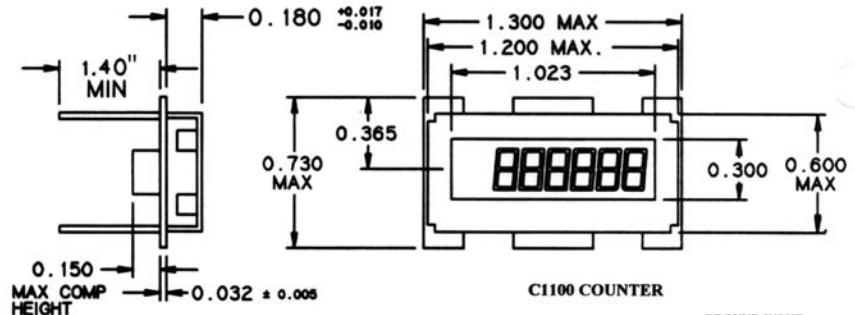
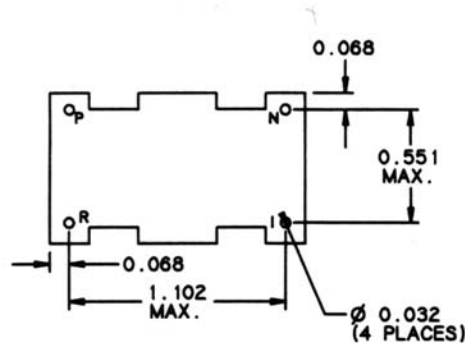


T1101AB Black Bezel Hour Meter  
T1101AS Chrome Bezel Hour Meter

T1100 TIMER

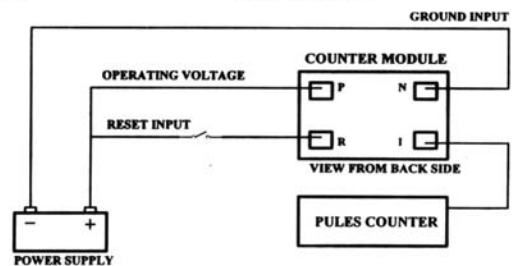


### C1100 COUNTER MODULE



C1101AB Black Bezel Counter  
C1101AS Chrome Bezel Counter

C1100 COUNTER



#### LIMITED WARRANTY

ENM Company products are warranted to the consumer to be free from defects in material and workmanship for a period of 1 year. All ENM products which fall within the warranty period due to defects in material or workmanship will be repaired or replaced, at ENM's option, without charge to the consumer when returned with proof of purchase to any authorized ENM dealer in the United States, transportation charges prepaid, provided there is no evidence of improper installation, tampering, or other abuse. All implied warranties, including any implied warranty of merchantability or fitness for a particular purpose, shall be limited in duration to the express warranty period specified above.

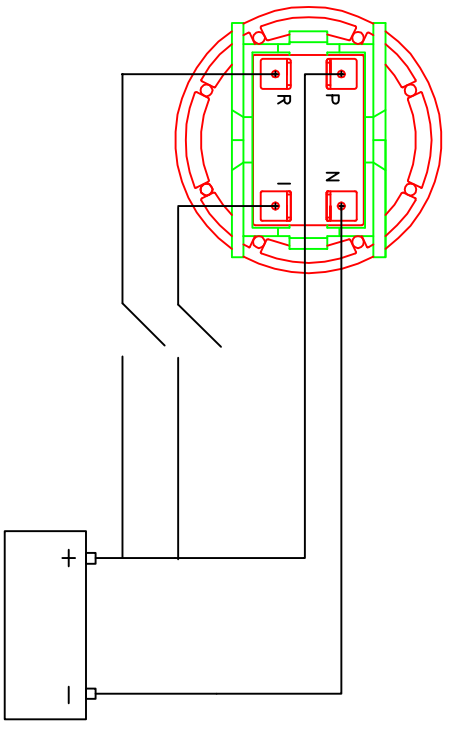
ENM disclaims any liability for consequential damages due to breach of any written or implied warranty on its products.

REVISIONS

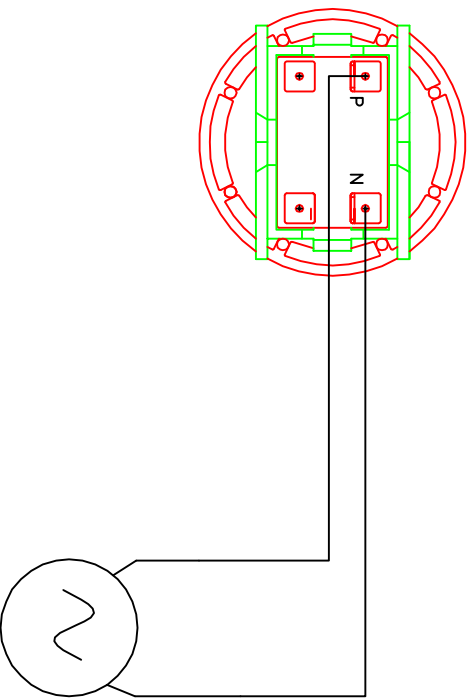
SYM	DESCRIPTION	DATE	APPROVAL

- P – Positive
- N – Negative
- R – Reset Meter
- I – Enable Meter (Increment counts for counter model)

DC Voltage Hook-up



AC Voltage Hook-up



MATERIAL		FINISH		HEAT TREAT		WEIGHT	
DIMENSIONAL TOLERANCES UNLESS OTHERWISE SPECIFIED				TITLE			
FRAC.	DEC.	ANG.	HOUR METER				
±1/64	±.005	±30"	HOOKUP INSTRUCTIONS				
SCALE	ND. REQ'D	DRAWN		QN	DATE	12-17-10	SIZE
NEXT ASSTY.	CHECKED	APPROVED		DATE	DATE	DATE	A
DRAWING NUMBER				ISSUE			
TS192							



THIS PRINT IS THE PROPERTY OF ENM COMPANY AND IS LOANED SUBJECT TO RETURN UPON DEMAND. TITLE TO SAME IS NEVER SOLD OR OF DESIGN OR INVENTION ARE RESERVED. PRINT IS NOT NECESSARILY TO SCALE.