

Electronic LCD Hour Meter/Counter, Series T1100/C1100



T1151AB
T1161AB

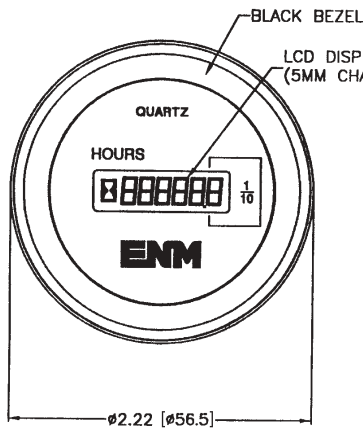
Features

- Non-volatile memory (no battery)
- High reliability
- Low cost and small size
- Low operating current
- Wide operating voltage and temperature range
- Silent operation, no moving parts
- Non-reset option available
- Very high shock and vibration specs
- Solid State Electronics
- Quartz Crystal
- Made in the U.S.A.

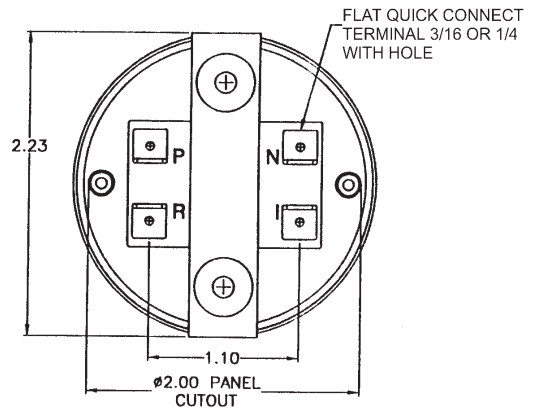
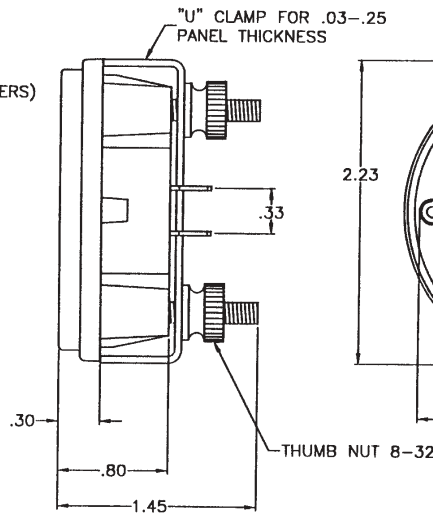
ENM's new series T1100 Hour Meter and Up or Down Counter module features a 6-digit, 7 segment LCD display. The accumulated hours or counts are stored on powerless non-volatile data backup using CMOS EEPROM technology, where small space and reliable instruments are required with memory that does not rely on a battery. Both meters are ideal for maintenance applications. Hour meter module displays hour glass and decimal point.

Specifications

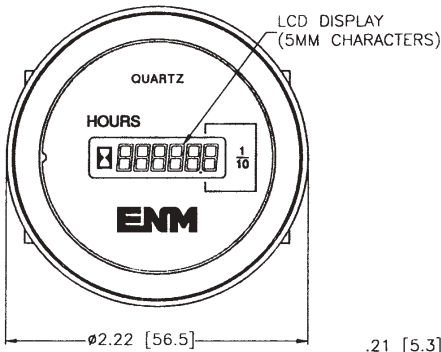
Capacity:	99999.9 Hour meter (00 to 999999) Up Counter (999999 to 00) Down Counter Automatic recycle to zero.
Display height:	6 digits, 5mm LCD
Operating voltage:	8-28VDC, other AC and DC voltages are also available
Count speed:	100 C.P.S. in Counter Mode
Operating current:	3mA maximum @ 8VDC and 10mA @ 28Vdc
Operating temperature:	Standard -40C to +85C
Vibration resistance:	Withstands 10 to 75 Hz. at 1 to 8 G's.
Shock resistance:	SAEJ137853G
Accuracy:	Better than +/-0.01%
Humidity:	95%RH+32C for 2 hours
Protected from:	Alternator load dump, inductive switching and reverse polarity.
Memory capacity:	CMOS EEPROM. Non-volatile memory has data retention in excess of 10 years without power.
Case Style:	Front panel mount with new fix retaining clip. Panel mount with u-clamp.



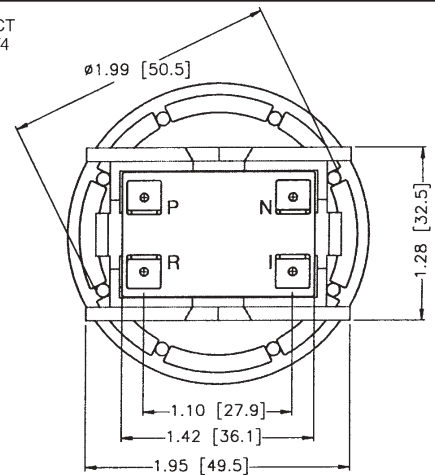
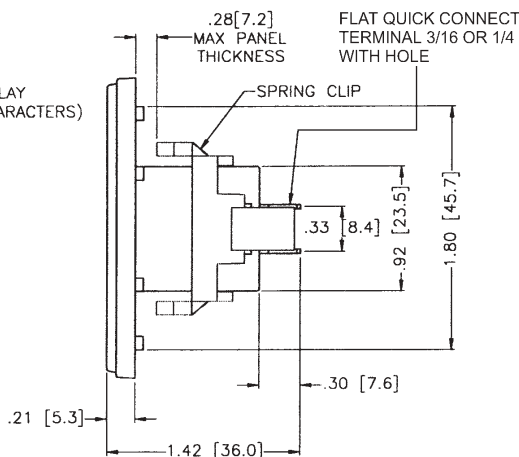
T1151AB Hour Meter



C1151AB Counter

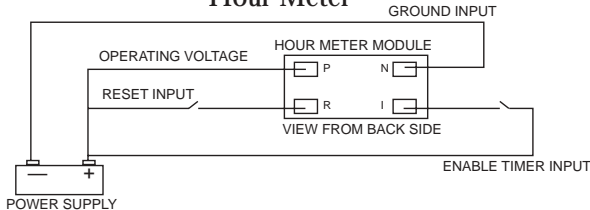


T1161AB Hour Meter

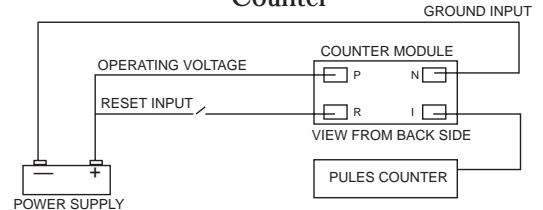


C1161AB Counter

Hour Meter



Counter



ENM Co.® is a registered trademark of the ENM Company

LIMITED WARRANTY HOUR METERS

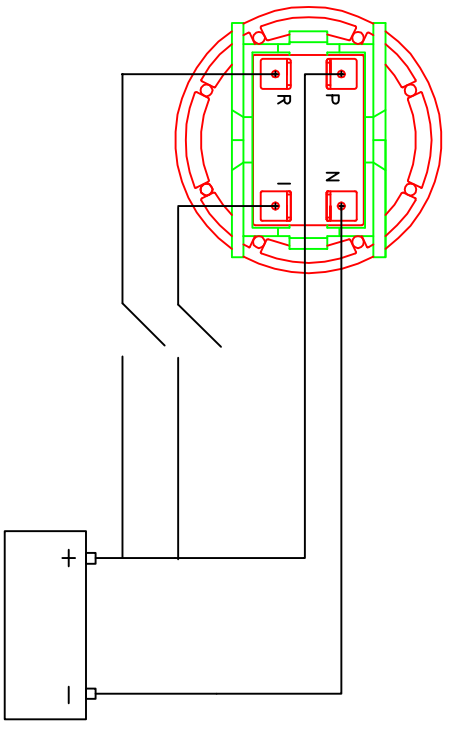
ENM Company hour meters are warranted to the consumer to be free from defects in material and workmanship for a period of 1 year. All ENM products which fall within the warranty period due to defects in material or workmanship will be repaired or replaced, at ENM's option, without charge to the consumer when returned with proof of purchase to any authorized ENM dealer in the United States, transportation charges prepaid, provided there is no evidence of improper installation, tampering, or other abuse. All implied warranties, including any implied warranty of merchantability or fitness for a particular purpose, shall be limited in duration to the express warranty period specified above. ENM disclaims any liability for consequential damages due to breach of any written or implied warranty on its hour meter. Datasheet information subject to change.

REVISIONS

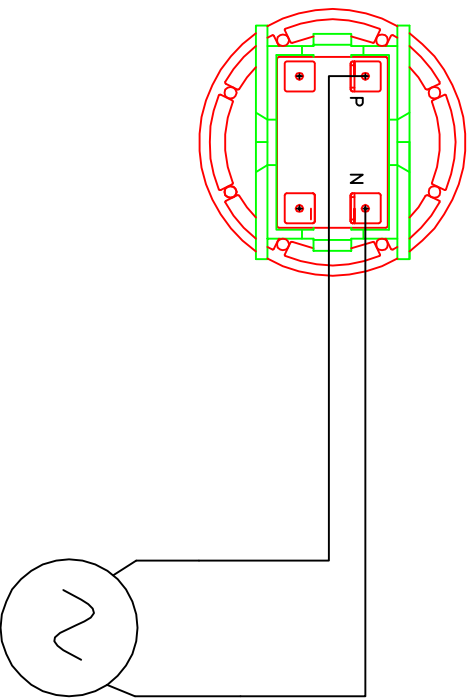
SYM	DESCRIPTION	DATE	APPROVAL

- P – Positive
- N – Negative
- R – Reset Meter
- I – Enable Meter (Increment counts for counter model)

DC Voltage Hook-up



AC Voltage Hook-up



MATERIAL		FINISH		HEAT TREAT		WEIGHT	
DIMENSIONAL TOLERANCES UNLESS OTHERWISE SPECIFIED				TITLE			
FRAC.	DEC.	ANG.	HOUR METER HOOKUP INSTRUCTIONS				
±1/64	±.005	±30"	DRAWN QN				
SCALE	IND. REQ'D		DATE	12-17-10	SIZE	DRAWING NUMBER	
NEXT ASSTY.			CHECKED	DATE	A	TS192	
			APPROVED	DATE		ISSUE	



THIS PRINT IS THE PROPERTY OF ENM COMPANY AND IS LOANED SUBJECT TO RETURN UPON DEMAND. TITLE TO SAME IS NEVER SOLD OR OF DESIGN OR INVENTION ARE RESERVED. PRINT IS NOT NECESSARILY TO SCALE.