

Energy and Time Meter, Series L16



L16A - 230 VAC, 50 or 60 Hz

ENM new L16 series act both as an hour meter and an energy meter. The unit is very accurate incorporating the latest in digital technology. Furthermore, the meter can withstand a wide range of temperature which is perfect for use in applications that deal with extreme temperature.

This instrument is ideal for applications such as dehumidifiers, air conditioning, production equipments, etc. to name a few examples.

Features

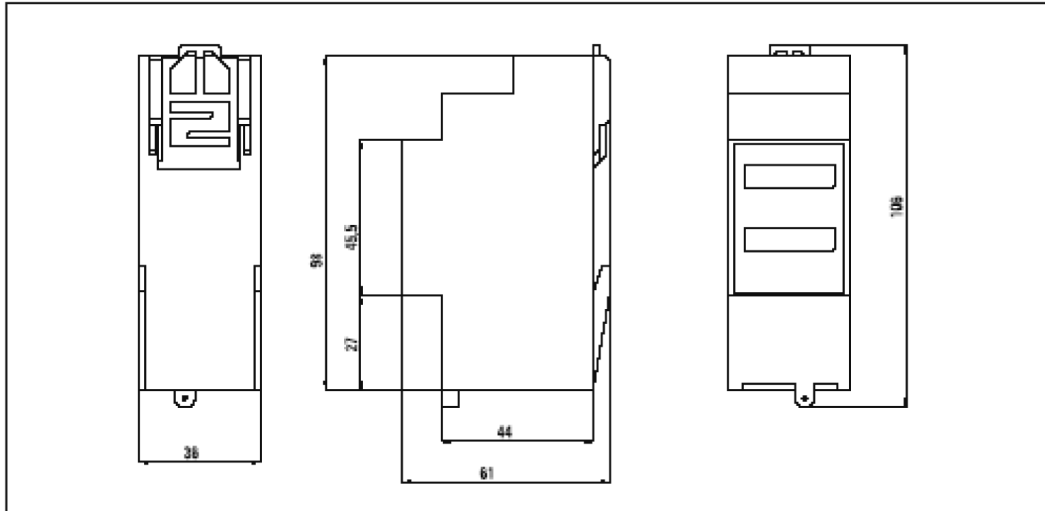
- Remote readout possible
- DIN rail mounted
- High measuring accuracy
- Tamper-proof fixed installation
- Wide temperature range
- Connections can be security sealed
- Shows both values in parallel
- ROHS compliant
- IP 52 protection

Specifications

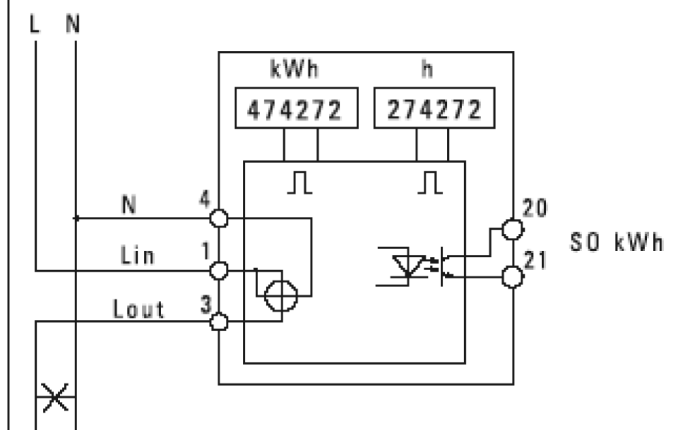
Voltage:	230 VAC, 50 or 60 Hz
Display:	Energy meter: 7 digits Hour meter: 6 digits
Character Height:	6mm digits
Operating Temperature:	-25°C to 60°C Storage: -40°C to 70°C
Current:	Ib=10A, I _{max} =65A Limits: >=20mA up to 16A Start Current: >=20Ma
Accuracy:	Energy meter: Class 1 Hour meter: ±1%
SO Output:	Energy meter: 1000 pulses/kWh, 5...30VDC, I _{max} =20mA
Data Backup:	EEPROM memory

Series L16A

Dimensions:



Terminal assignment



2007 ENM Co.®

LIMITED WARRANTY HOUR METERS

ENM Company products are warranted to the consumer to be free from defects in material and workmanship for a period of 1 year. All ENM products which fall within the warranty period due to defects in material or workmanship will be repaired or replaced, at ENM's option, without charge to the consumer when returned with proof of purchase to any authorized ENM dealer in the United States, transportation charges prepaid, provided there is no evidence of improper installation, tampering, or other abuse. All implied warranties, including any implied warranty of merchantability or fitness for a particular purpose, shall be limited in duration to the express warranty period specified above.

ENM disclaims any liability for consequential damages due to breach of any written or implied warranty on its products.