

**PC1210F0 10-40VDC**

**PC1210G0 85-265VAC/90-360VDC**

ENM's series PC12 features two 6-digit, 7 segment LCD displays with channel two being programmable by customer. The service LED light informs the operator when the preset value setting is reached. The accumulated counts are stored on powerless, non-volatile data backup using CMOS EEPROM technology. The storage of data using this method does not depend on an internal battery and this will ensure that data are kept even during power outage. This model is ideal for maintenance applications or other applications that required keeping accurate counts of events.

#### Special functions:

- Allows customer to preset total counts and replace a failed meter without loss of total counts
- Key lock feature to prevent unauthorized access to meter's reset and programming functions
- Ease of connection with 10 pin wire harness with locking feature included

### Features

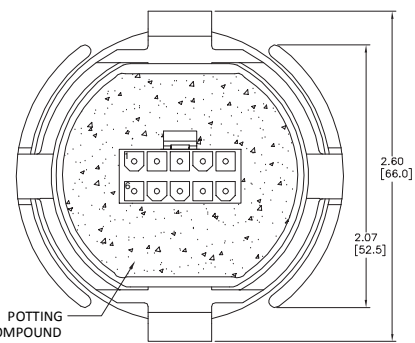
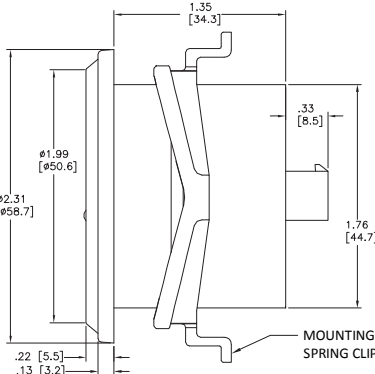
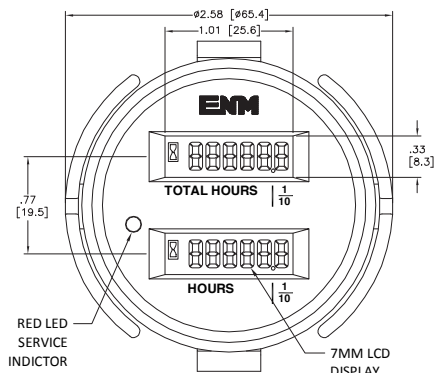
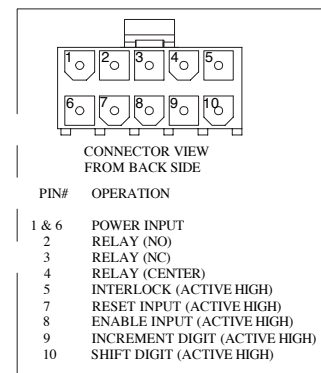
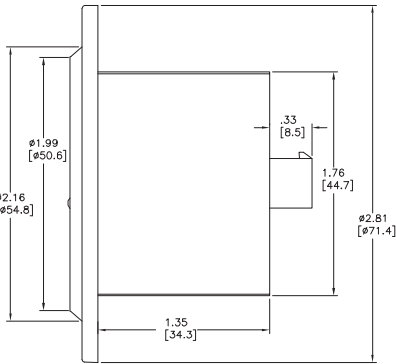
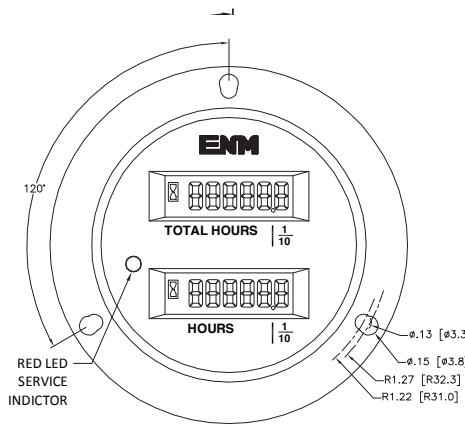
- Non-volatile memory (no battery)
- High reliability
- Totally sealed IP67
- Low cost and small size
- Low operating current
- Wide operating voltage and temperature range
- Interlock input (the reset and preset input are disabled)
- Relay and LED output
- Self programmable or factory set
- 10 pins connector wire harness included
- Polarity insensitive for the DC power input
- Solid State Electronics
- Quartz Crystal
- Made in the U.S.A.

### Specifications

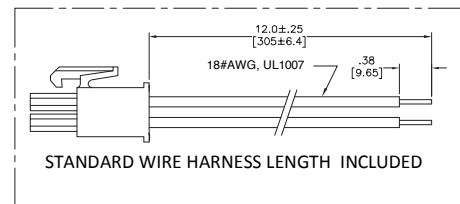
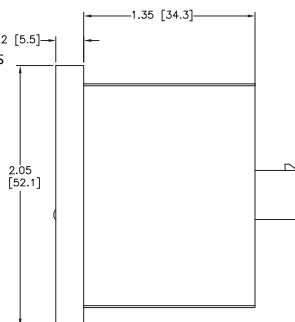
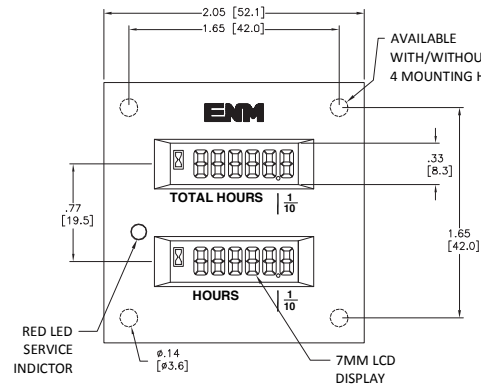
Display:	999999 Counts (both displays) Automatic recycle to zero
Character height:	Large 6-digits 7mm
Operating Voltage:	85-265 VAC 50/60 Hz (90-360 VDC) or 10-40 VDC
Operating current:	6mA nominal (50mA when LED and relay on)
Operating temperature:	-25C to +85C (-13 F to + 185 F) for the AC model -40 C to + 85 C (-40 F to + 185 F) for DC model
Count Speed:	20 C.P.S. for standard for AC/DC 250 C.P.S. speed count is available for DC
Vibration resistance:	Withstands 10 to 75 Hz. at 1 to 8 G's
Protected from:	Alternator load dump, inductive switching and reverse polarity
Configuration:	Round SAE bezel with new push-on retaining ring. Other mounting styles are also available.

2013 ENM Co.®

### PC12 Series



Recommended panel cutout 2.0[50.8]



2013 ENM Co.®

#### LIMITED WARRANTY

ENM Company resettable electromechanical counters are warranted to the consumer to be free from defects in material and workmanship for a period of 1 year. All ENM products which fall within the warranty period due to defects in material or workmanship will be repaired or replaced, at ENM's option, without charge to the consumer when returned with proof of purchase to any authorized ENM dealer in the United States, transportation charges prepaid, provided there is no evidence of improper installation, tampering, or other abuse. All implied warranties, including any implied warranty of merchantability or fitness for a particular purpose, shall be limited in duration to the express warranty period specified above. ENM disclaims any liability for consequential damages due to breach of any written or implied warranty on its products. Datasheet information subject to change.