

### Electronic LCD Hour Meter Series L18

ENM's Series L18 DC/AC hour meter features a 7 digits LCD display with EEPROM memory. The hour meter is highly accurate with an  $\pm 0.01\%$  accuracy. External power is applied through the terminals on the back of the unit. This unit is also resettable through the terminals.

This unit has an IP65 waterproof rating from the front side and can withstand temperatures of  $-40^{\circ}\text{C}$  to  $+85^{\circ}\text{C}$ . These specifications allowed the unit to be used in a broader spectrum of applications such as outdoor, testing and other harsh environments.

The standard unit comes with a mounting clip and terminal connectors.



L18A - 8-90 VAC/DC

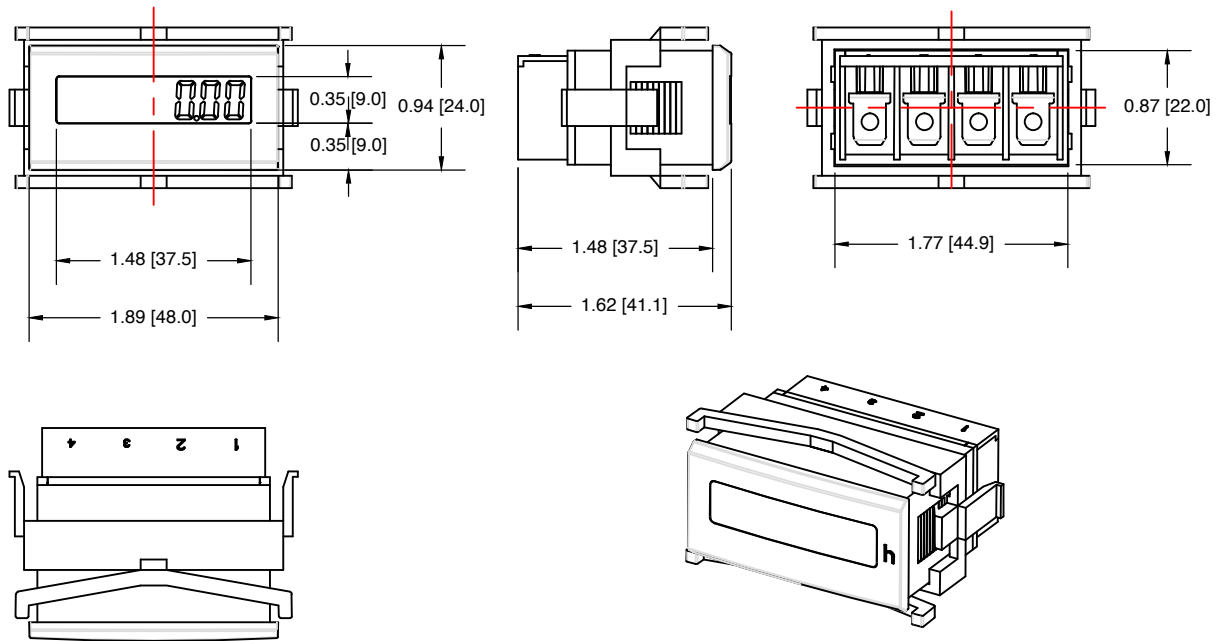
L18B - 86-230 VAC

### Features

- High Accuracy of  $\pm 0.01\%$
- EEPROM memory with long data retention time
- Not dependent on internal battery
- Wide operating temperature range
- Wide voltage range
- 100,000 hours capacity (rollover back to zero once 100,000 hours is reached)
- IP65 rating from the front
- Large 8mm digits
- Resettable

### Specifications

Total hour range	0.00-99999.99H
Dimensions	1.89x0.95x1.62 (48x24x41.1mm)
Digits size	0.32x0.15 (8.18x3.89mm)
Display window	1.48x0.35 (37.5x9mm)
Operating voltage	AC: 86-230V AC/DC: 8-90V
Timing resolution	0.01H
Accuracy	$\pm 0.01\%$
Reset	Applying power to reset terminal
Operating temperature	$-40^{\circ}\text{F}$ to $+185^{\circ}\text{F}$ ( $-40^{\circ}\text{C}$ to $+85^{\circ}\text{C}$ )
Waterproof level	IP65 (front side only)
Memory	CMOS EEPROM. Non-volatile memory with data retention in excess of 25 years without power.
Weight	0.106lb (48g)



**TERMINALS CONNECTION**

- 1- NEGATIVE OR NEUTRAL POWER INPUT
- 2- ENABLE INPUT (STARTS THE TIMING FUNCTION). APPLY POSITIVE OR HOT TO START.
- 3- RESET HOUR(S). BRIEFLY APPLY POSITIVE OR HOT TO RESET HOURS BACK TO 0.00.
- 4- POSITIVE OR HOT POWER INPUT

**WARNING: PLEASE DON'T SHORT-CIRCUIT THE POWER INPUT WHEN INSTALLING. THERE IS A RISK OF DAMAGING THE UNIT.**

2019 ENM Co.®

**LIMITED WARRANTY**

ENM Company products are warranted to the consumer to be free from defects in material and workmanship for a period of 1 year. All ENM products which fall within the warranty period due to defects in material or workmanship will be repaired or replaced, at ENM's option, without charge to the consumer when returned with proof of purchase to any authorized ENM dealer in the United States, transportation charges prepaid, provided there is no evidence of improper installation, tampering, or other abuse. All implied warranties, including any implied warranty of merchantability or fitness for a particular purpose, shall be limited in duration to the express warranty period specified above. ENM disclaims any liability for consequential damages due to breach of any written or implied warranty on its products.