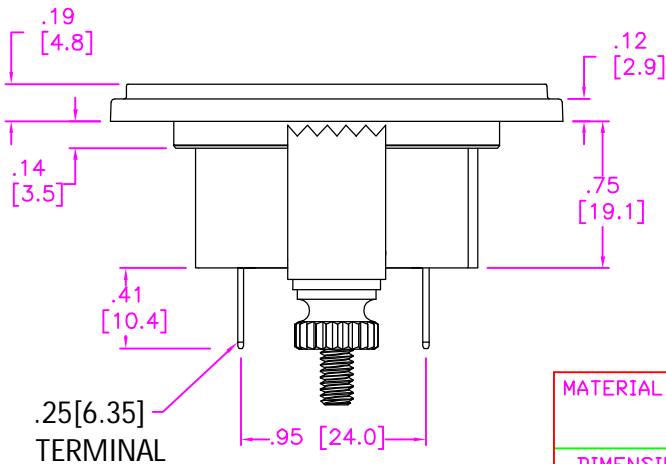
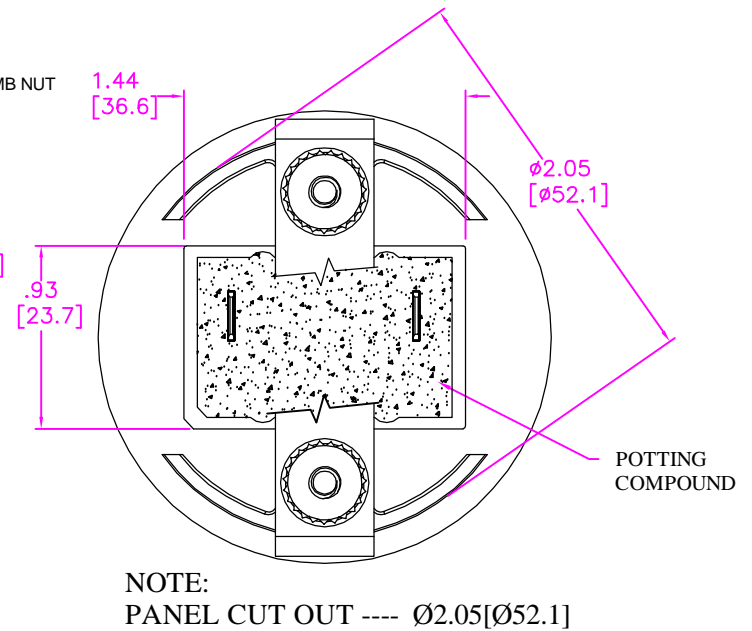
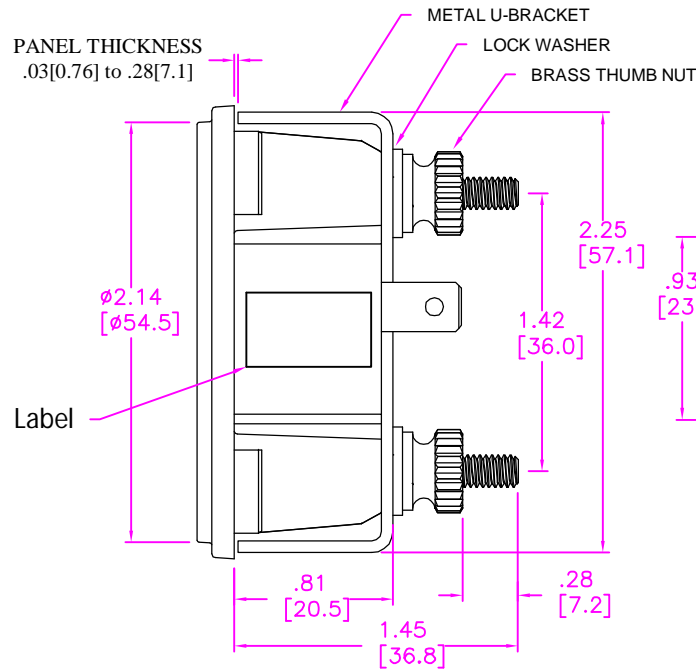
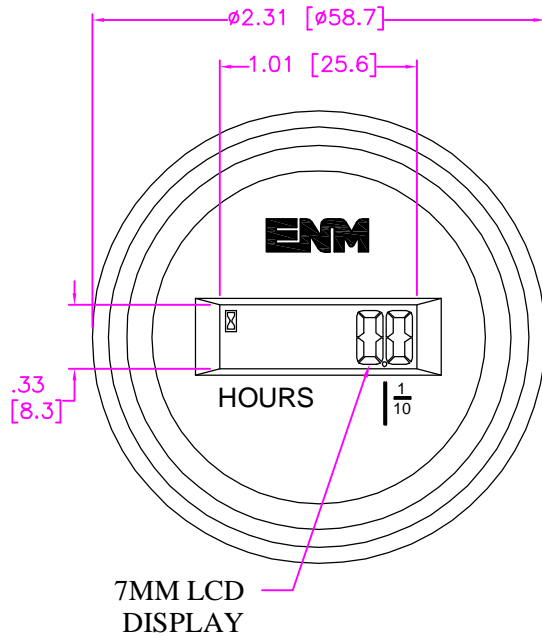


REVISIONS

SYM	DESCRIPTION	DATE	APPROVAL
-----	-------------	------	----------

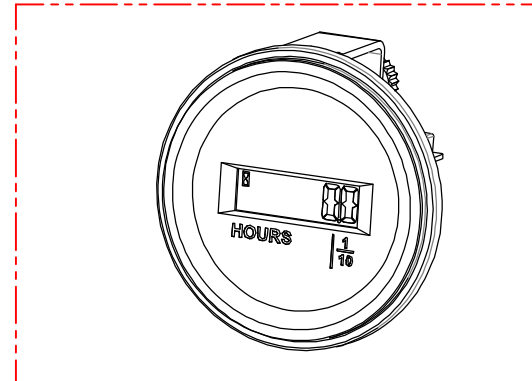


SPECIFICATION

1. DISPLAY
2. DIGIT HEIGHT
3. RESOLUTION
4. DATA STORAGE
5. INPUT DEVICE

6. OPERATION VOLTAGE
7. OPERATION TEMPERATURE:
8. STORAGE TEMPERATURE:
9. HUMIDITY
10. TOTALLY SEALED UNIT:
11. UR/CUR RECOGNIZED

- 99999.9 WITH RUNNING ICON
- 7MM
- 0.1 HOURS
- INTERNAL BATTERY
- 2-TERMINALS, POWER INPUT
- POLARITY INSENSITIVE
- 4.5V TO 60VDC/AC 48-440 HZ
- 30°C TO +71°C
- 30°C TO +71°C
- 95 %RH
- POTTING METHOD (IP67)
- FILE# E52291



MATERIAL			FINISH			HEAT TREAT		
DIMENSIONAL TOLERANCES UNLESS OTHERWISE SPECIFIED			TITLE			WEIGHT		
FRAC.	DEC.	ANG.	6 DIGIT LCD HOUR METER METER WITH U-BRACKET FOR 2.05[52.1] DIAMETER CUTOUT			<h1>ENM</h1> Chicago, Illinois		
$\pm 1/64$.XXX $\pm .005$	$\pm 30^\circ$						
	.XX $\pm .01$							
SCALE	NO. REQ.D	DRAWN	J.G.	DATE	8/19/16	SIZE	DRAWING NUMBER	ISSUE
1.1		CHECKED		DATE		A	S-TB44H65B	1
NEXT ASSY.		APPROVED		DATE				

THIS PRINT IS THE PROPERTY OF ENM COMPANY AND IS LOANED SUBJECT TO RETURN UPON DEMAND, TITLE TO SAME IS NEVER SOLD OR OF DESIGN OR INVENTION ARE RESERVED. PRINT IS NOT NECESSARILY TO SCALE.