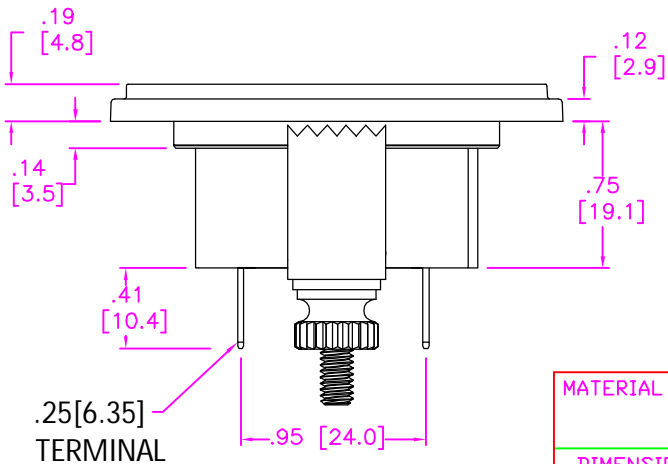
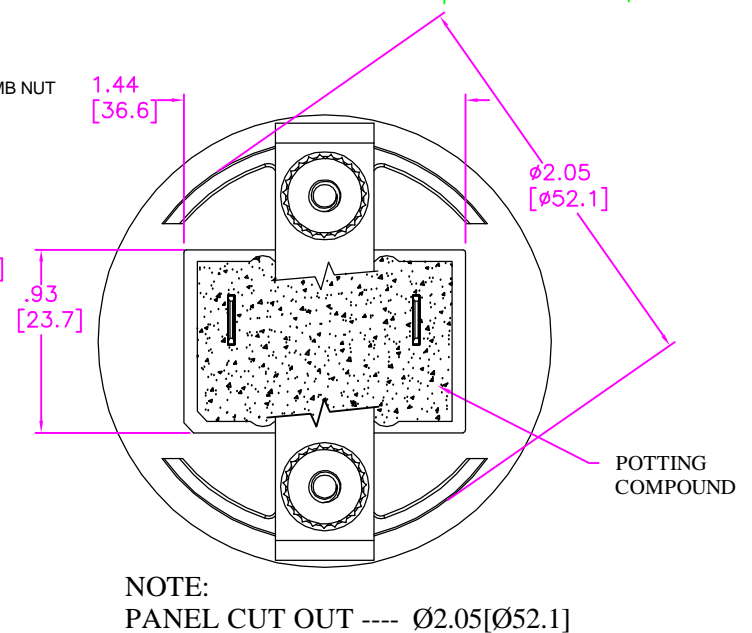
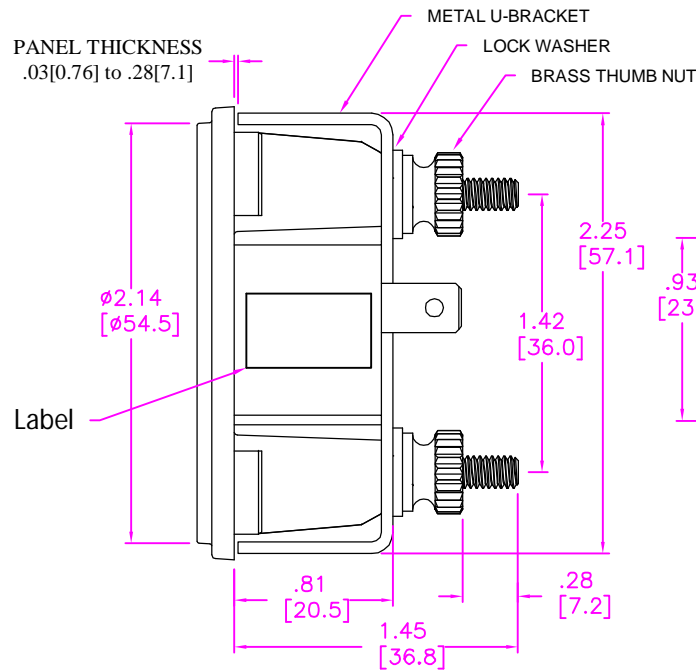
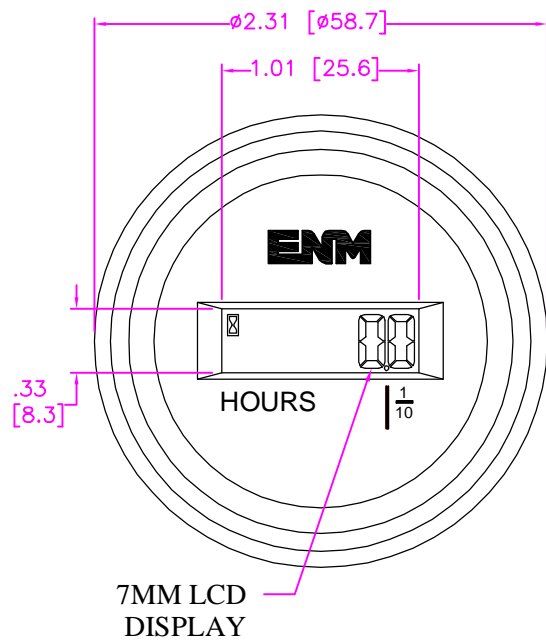


REVISIONS

SYM	DESCRIPTION	DATE	APPROVAL
-----	-------------	------	----------

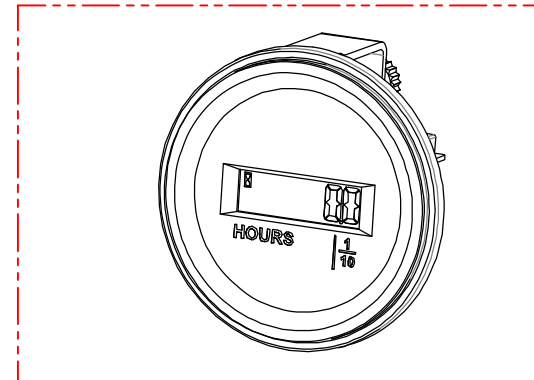


SPECIFICATION

1. DISPLAY
2. DIGIT HEIGHT
3. RESOLUTION
4. DATA STORAGE
5. INPUT DEVICE

6. OPERATION VOLTAGE
7. OPERATION TEMPERATURE: -30°C TO +71°C
8. STORAGE TEMPERATURE: -30°C TO +71°C
9. HUMIDITY 95 %RH
10. TOTALLY SEALED UNIT:
11. UR/CUR RECOGNIZED

- 99999.9 WITH RUNNING ICON
- 7MM
- 0.1 HOURS
- INTERNAL BATTERY
- 2-TERMINALS, POWER INPUT
- POLARITY INSENSITIVE
- 115V TO 275VDC/AC 48-440 HZ
- 30°C TO +71°C
- 30°C TO +71°C
- 95 %RH
- POTTING METHOD (IP67)
- FILE# E52291



MATERIAL			FINISH			HEAT TREAT		
DIMENSIONAL TOLERANCES UNLESS OTHERWISE SPECIFIED			TITLE			WEIGHT		
FRAC.	DEC.	ANG.	6 DIGIT LCD HOUR METER METER WITH U-BRACKET FOR 2.05[52.1] DIAMETER CUTOUT			<h1>ENM</h1> Chicago, Illinois		
±1/64	.XXX ±.005	±30"						
	.XX ±.01							
SCALE 1.1	NO. REQ.D	DRAWN J.G.	DATE 8/19/16	SIZE A	DRAWING NUMBER S-TB44H69B	ISSUE 1		
NEXT ASSY.		CHECKED	DATE					
		APPROVED	DATE					

THIS PRINT IS THE PROPERTY OF ENM COMPANY AND IS LOANED SUBJECT TO RETURN UPON DEMAND, TITLE TO SAME IS NEVER SOLD OR OF DESIGN OR INVENTION ARE RESERVED. PRINT IS NOT NECESSARILY TO SCALE.