

LCD Tach/Hour Meter PT16F Series

ENM's PT16F is a LCD tachometer and hour meter combination with extra functions such as a job timer, service timer, and ability to set various firing patterns. The meter also keep track of the maximum RPM which can help in early detection of issue with engine. The meter works on gas powered engine with a spark plug. The unit have an IP67 rating which will protect against dust and water and will work in various environment.

SPECIFICATIONS

1. Display:

- LCD display, viewing angle is 6'Clock.
- 6 digits display.
- Temperature range of LCD screen: -20°C-70°C

2. Operation systems function:

- Dsp-1 display interface sequence: TOT>JOB>SVC>RPM Alert>MAX RPM>1P1R
Dsp-2 interface display:
Timing mode: TOT>JOB>SVC.
RPM mode: RPM>RPM Alert>MAX RPM>1P1R.
- Default mode: dsp-1.

3. RPM measuring function:

- Signal recognition: When tach hour meter detects the engine spark plug signal for more than 1s continuously, the LCD will display the current RPM of the engine.
- RPM range: 0-25000RPM; RPM accuracy: ±50RPM.
- RPM resolution: 10RPM.
- RPM refresh rate: 0.5s
- Alert RPM setting range: 0-25000RPM(Off by default).
- RPM warning reminder: RPM value and warning icon will flash.
- MAX RPM record method: when the current RPM value exceeds the record value twice continuously , the record value will be updated.
- Engine firing patterns: 1P1R, 1P2R, 2P1R, 3P1R, 3P2R, 4P1R, 5P2R, 6P1R, 8P1R.

4 Timing function:

- Programmable total hour. (Within 1 working hour then feature is disable.)
- When the unit pick up the engine signal continuously, the hourglass icon flashes or the LCD displays current RPM and start timing.
- Record total running hours and the timing range is 0-999999H, non-resettable;
- Record partial time and the timing range is 0-999999H, resettable;
- Timing accuracy: when the total hours range is 0-9999H59M, the timing accuracy is 1 min; when the total hours range is 10000-99999H, the timing accuracy is 0.1H; when the total hours range is 100000-999999M, the timing accuracy is 1H.

5. Maintenance interval time function:

- One maintenance reminder which can be set to 0-2000H.
- It is countdown timer; the SVC icon will flash on LCD screen.

6. Turn-on/turn-off function:

- Operation: press the "MENU" button and the "SET" button simultaneously on the main interface, the LCD will display OFF and LCD display will be shut down.
- Turn-on method: press any button or detect the continuous engine signals for 8s, the LCD display will be activated.

7. Replaceable Internal battery:

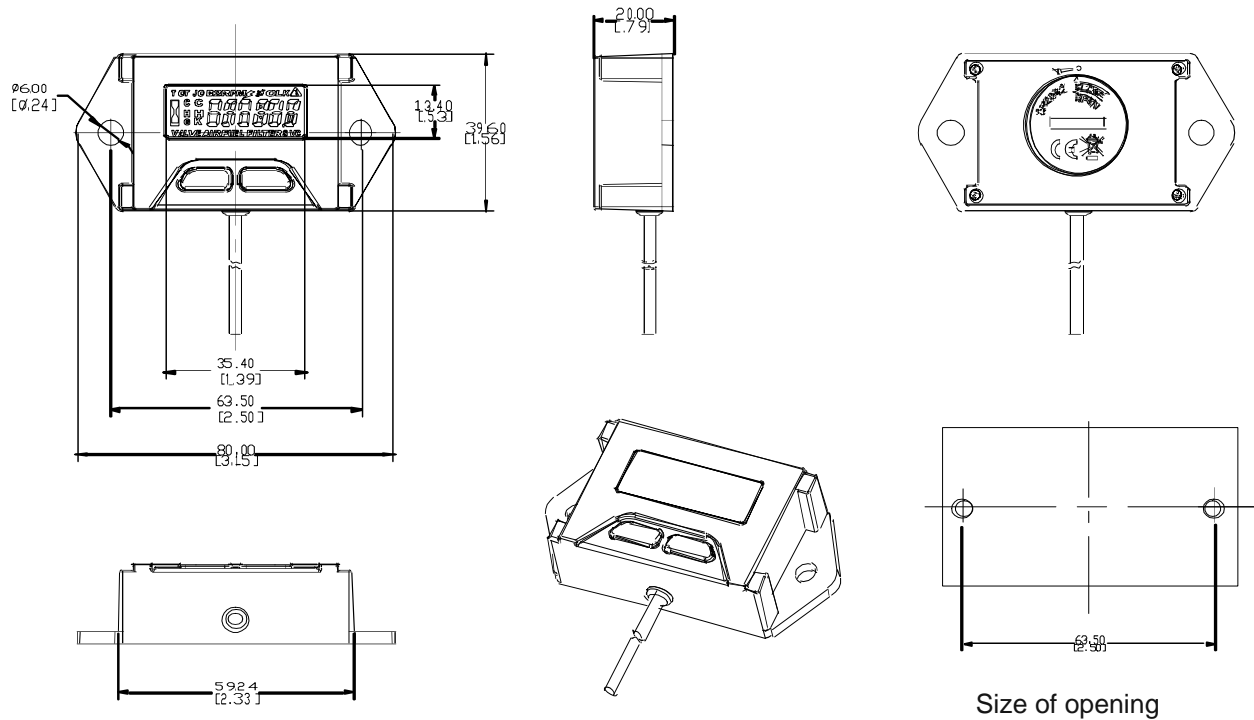
- Battery type: CR2450, capacity: 540mAh



PT16F

FEATURES

Type of working signal	Gasoline engine spark plug signal
Housing material	ABS black
Product size	80mm • 39.6mm • 20mm
Display window size	35.5mm*13.5mm
Working temperature	-20°C to 70°C
Waterproof rate	Front IP65
Weight	75g



2021 ENM Co.®

LIMITED WARRANTY

ENM Company products are warranted to the consumer to be free from defects in material and workmanship for a period of 1 year. All ENM products which fall within the warranty period due to defects in material or workmanship will be repaired or replaced, at ENM's option, without charge to the consumer when returned with proof of purchase to any authorized ENM dealer in the United States, transportation charges prepaid, provided there is no evidence of improper installation, tampering, or other abuse. All implied warranties, including any implied warranty of merchantability or fitness for a particular purpose, shall be limited in duration to the express warranty period specified above. ENM disclaims any liability for consequential damages due to breach of any written or implied warranty on its products.